

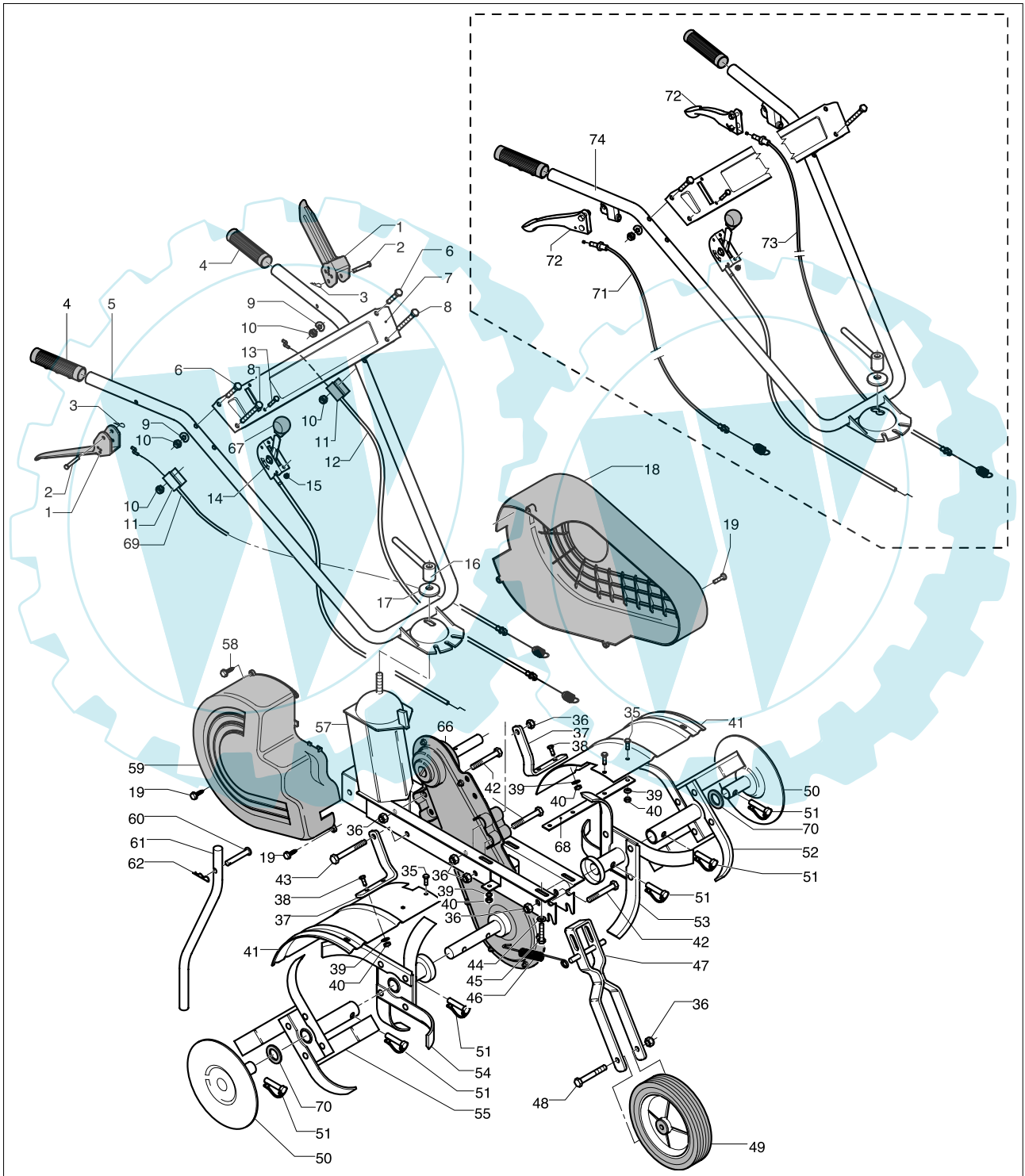
brand	<b>MEP</b>
-------	------------

date	JAN/02	SHEET 1/11
------	--------	------------

Model

<b>POLO - JET</b>

Product number

**The Electrolux Group. The world's No.1 choice.**

brand	<b>MEP</b>
-------	------------

date	JAN/02	SHEET 2/11
------	--------	------------

<b>POLO - JET</b>
-------------------

Pos.	PN ELX	PN MEP	DESCRIZIONE	DESCRIPTION	DESCRIPTION	Q.ty	NOTE
1	531205422	10128683	maniglia frizione	clutch lever	manette d'embrayage	2	
2	531207409	10651400	perno	pin	pivot	2	
3	531207408	10651300	coppiglia	cotter pin	goupille	2	1.1x17
4	531207131	10500033	guaina	sheating	gaine	2	
5	531207572	10685001	manico	handle	guidon	1	mp
5	531207567	1068500A	manico	handle	guidon	1	
5	531207568	1068500C	manico	handle	guidon	1	
5	531207569	1068500F	manico	handle	guidon	1	
5	531207570	1068500L	manico	handle	guidon	1	
5	531207573	10685002	manico	handle	guidon	1	er
5	531207574	10685004	manico	handle	guidon	1	
6	531207441	10655200	vite	screw	vis	2	TE M6x40 UNI 5737-8,8-ZB
7	531207518	10679703	plancia comandi	dash-board	planche	1	
8	531205011	10118600	vite	screw	vis	2	TE M6x50 UNI 5737-8,8 ZN
9	531204961	10115900	rondella ondulata	washer	rondelle	2	6,5E
10	531208491	20281800	dado	nut	ecrou	4	M6H8UNI7473-ZB
11	531208043	20121983	supporto cavo	cable bearing	support du cable	2	
12	531207619	10690400	cavo marcia	clutch cable	cable d'embrayage	1	intek
12	531207566	10684600	cavo frizione	clutch cable	cable d'embrayage	1	geo-tec /b&s 3,5/honda
13	531207270	10547300	vite	screw	vis	2	TE M5x12 UNI 5739-8,8-ZB
14	531207613	10688700	cavo acceleratore	accelerator cable	cable accélérateur	1	intek 1080/60
14	531207582	10685800	acceleratore	accelerador	accélérateur	1	geo-tec /b&s 3,5 L.1120/60
14	531207109	10425200	acceleratore	accelerador	accélérateur	1	honda1040/60
15	531208661	20501380	dado	nut	ecrou	2	M5 H5 UNI5587- 6S ZB
16	531207508	10673700	leva bloccag.manico	lever	levier	1	
17	531207509	10674100	rondella	washer	rondelle	1	
18	531207523	10681103	carter copricinghia	housing	carter	1	intek
18	531207541	10682103	carter copricinghia	housing	carter	1	geo-tec
18	531207544	10682603	carter copricinghia	housing	carter	1	honda/brigs3,5
19	531207120	10427400	vite	screw	vis	4	TE FRTC4,8x13
35	531208660	20501370	vite	screw	vis	4	TE M6x20 UNI 5739-8,8-ZB
36	531207161	10501160	dado	nut	ecrou	5	M10 H12 UNI7473-ZB
37	531207420	10652303	supporto paratoia	bearing	support	2	
38	531208769	20655100	vite	screw	vis	2	TE M6x16 UNI 5739-8,8-ZB
39	531208499	20286606	rondella dentellata	washer	rondelle	6	D.6E
40	531207165	10501200	dado	nut	ecrou	6	M6 H6 UNI 5587-6S-ZB
41	531207536	10682001	protezione frese	housing	carter	2	
42	531207416	10652000	vite	screw	vis	3	TE M10x75 UNI 5737-8,8-ZB
43	531207511	10677400	vite	screw	vis	1	TE M10x85 UNI 5737-8,8-ZB



 **Electrolux**
**ELECTROLUX OUTDOOR PRODUCTS**

brand	<b>MEP</b>
-------	------------

date	JAN/02	SHEET 3/11
------	--------	------------

<b>POLO - JET</b>
-------------------

Pos.	PN ELX	PN MEP	DESCRIZIONE	DESCRIPTION	DESCRIPTION	Q.ty	NOTE
44	<b>531204922</b>	<b>10114200</b>	rondella piana	washer	rondelle	8	8x16x1,5 ZB
45	<b>531207044</b>	<b>10390800</b>	vite	screw	vis	4	TE M8x40 UNI 5737-8,8-ZB
46	<b>531207562</b>	<b>10684100</b>	molla porta ruota	spring	ressort	1	
47	<b>531207545</b>	<b>10682903</b>	porta ruota	plate	plaque	1	
48	<b>531207576</b>	<b>10685200</b>	vite	screw	vis	1	TE M10X80 UNI 5737-8,8-ZB
49	<b>531207583</b>	<b>10685903</b>	ruota	wheel	roue	1	D.200/40
50	<b>531207476</b>	<b>10660003</b>	disco laterale	side disk	disque lateral	2	
51	<b>531208634</b>	<b>20500910</b>	perno con molla	pin with spring	pivot avec ressort	6	
52	<b>531207464</b>	<b>10658603</b>	stella esterna sinistra	external left star	étoile extérieure gauc.	1	
53	<b>531207507</b>	<b>10673403</b>	stella interna sinistra	inner left star	étoile intérieure gauc.	1	
54	<b>531207506</b>	<b>10673303</b>	stella interna destra	inner right star	étoile intérieure droite	1	
55	<b>531207463</b>	<b>10658503</b>	stella esterna destra	external right star	étoile extérieure droit	1	
57	<b>531207559</b>	<b>10683901</b>	scocca	deck	chassis	1	mp
57	<b>531207553</b>	<b>1068390A</b>	scocca	deck	chassis	1	
57	<b>531207554</b>	<b>1068390C</b>	scocca	deck	chassis	1	
57	<b>531207555</b>	<b>1068390E</b>	scocca	deck	chassis	1	
57	<b>531207556</b>	<b>1068390F</b>	scocca	deck	chassis	1	
57	<b>531207557</b>	<b>1068390L</b>	scocca	deck	chassis	1	
57	<b>531210945</b>	<b>1068390Q</b>	scocca	deck	chassis	1	
57	<b>531207560</b>	<b>10683902</b>	scocca	deck	chassis	1	er
57	<b>531207561</b>	<b>10683904</b>	scocca	deck	chassis	1	
58	<b>531208216</b>	<b>20135720</b>	vite	screw	vis	1	TCTC2FD5x16AC
59	<b>531207529</b>	<b>10681903</b>	carter	housing	carter	1	SX
60	<b>531207406</b>	<b>10651100</b>	perno	pin	pivot	1	
61	<b>531207550</b>	<b>10683700</b>	asta	rod	tige	1	
62	<b>531208657</b>	<b>20501290</b>	coppiglia	cotter pin	goupille	1	D.2
66	<b>531207516</b>	<b>10679303</b>	riduttore	reducer	reducteur	1	Z.8/Z.40
67	<b>531206970</b>	<b>10303403</b>	pomolo	knob	poignée	1	
68	<b>531207600</b>	<b>10687803</b>	asta rinforzo	rod	tige	1	
69	<b>531207565</b>	<b>10684500</b>	cavo retro	cable	cable	1	
70	<b>531211004</b>	<b>10690423</b>	rondella gomma	washer	rondelle	2	SBR D38X24,5X10
71	<b>531207609</b>	<b>10688300</b>	cavo retro	cable	cable	1	MM.900/1158
72	<b>531207614</b>	<b>10688900</b>	maniglia frizione	clutch lever	manette d'embrayage	2	
73	<b>531207610</b>	<b>10688400</b>	cavo frizione	clutch cable	cable d'embrayage	1	intek MM.860/1223
73	<b>531211294</b>	<b>10690440</b>	cavo marcia	clutch cable	cable d'embrayage	1	HONDA 135/160
74	<b>531207604</b>	<b>1068810E</b>	manico	handle	guidon	1	
74	<b>531207605</b>	<b>1068810F</b>	manico	handle	guidon	1	
74	<b>531211278</b>	<b>1068810Q</b>	manico	handle	guidon	1	
74	<b>531210807</b>	<b>10688101</b>	manico	handle	guidon	1	
74	<b>531207607</b>	<b>10688104</b>	manico	handle	guidon	1	


 **The Electrolux Group. The world's No.1 choice.**
**Ihr Ersatzteilspezialist im Internet**

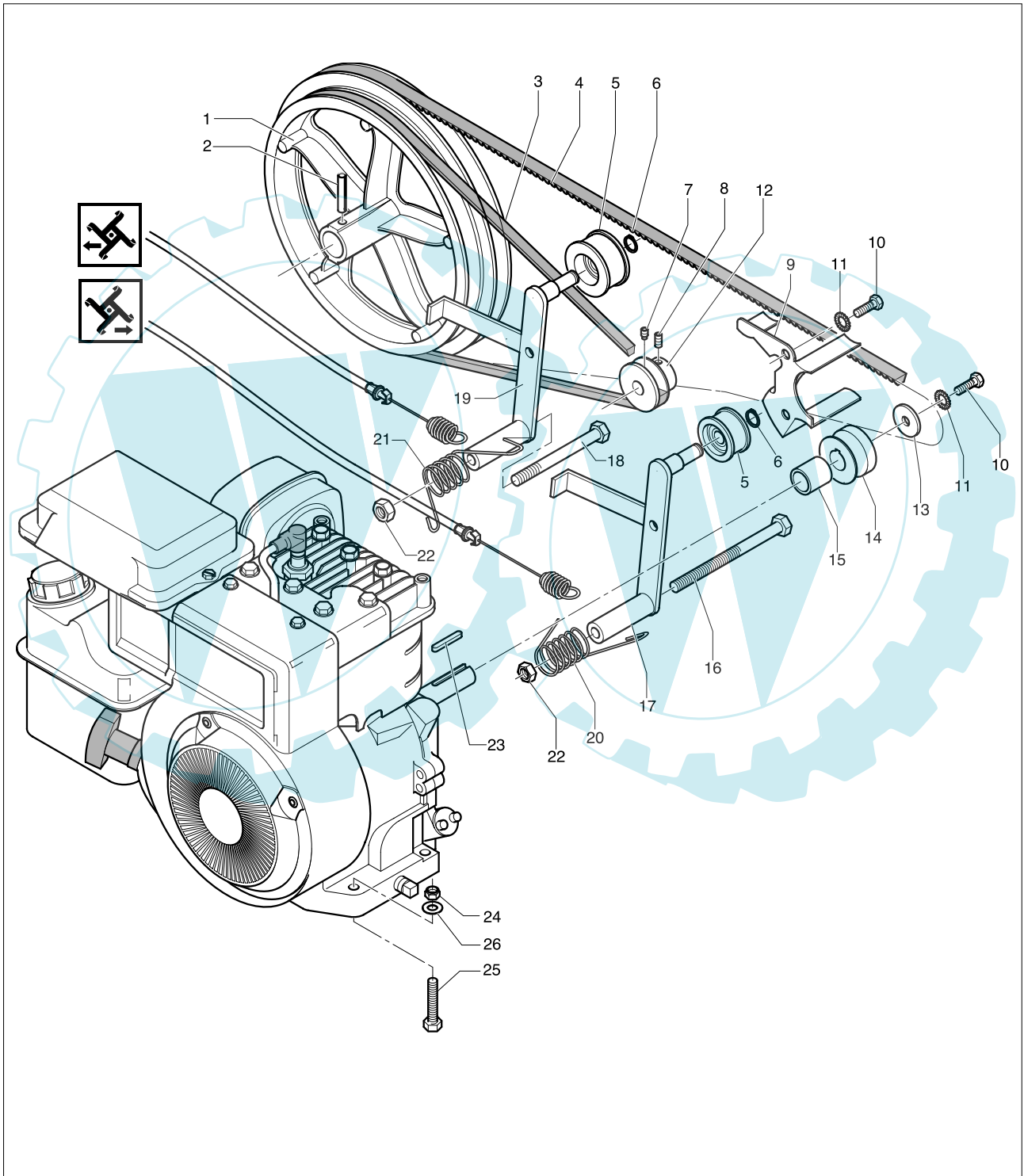
brand	<b>MEP</b>
-------	------------

date	JAN/02	SHEET 4/11
------	--------	------------

Model

<b>POLO - JET</b>

Product number

**The Electrolux Group. The world's No.1 choice.**

Ihr Ersatzteilspezialist im Internet

brand	<b>MEP</b>
-------	------------

date	JAN/02	SHEET 5/11
------	--------	------------

<b>POLO - JET</b>
-------------------

Pos.	PN ELX	PN MEP	DESCRIZIONE	DESCRIPTION	DESCRIPTION	Q.ty	NOTE
1	531207488	10670100	puleggia doppia	pulley	pouile	1	D.272
2	531208404	20228214	spina elastica	resilient pin	goupile expansible	1	D.6x40
3	531207431	10654400	cinghia	belt	courroie	11	AX 45 (13x8.5) 1143 K
4	531207590	10686600	cinghia	belt	courroie	1	geo tec-Z.40 1/4
4	531207577	10685300	cinghia	belt	courroie	1	Li1020 KEVLAR b&s-Z.39 1/2 SLI 1003 (STA)
5	531204430	O9128633	puleggia tendicinghia	pulley	pouile	1	
6	531208772	20655800	seeger	seeger	seeger	2	D.12E DIN 471
7	531207512	10677500	<b>vite screw vis 1 M6x16 UNI5929-67</b>				
8	531207597	10687400	vite	screw	vis	1	M5x8 UNI59
9	531207592	10686800	guidacinghia	belt slide	guidage de courroie	1	
10	531207430	10654300	vite	screw	vis	3	TE 5/16'UNF x 5/8'(=16mm)
11	531207981	20106200	rondella dentellata	washer	rondelle	3	D.8E DIN 6798
12	531207502	10671800	puleggia motore	pulley	pouile	1	D.45
13	531205552	10135380	rondella piana	washer	rondelle	1	8x30x3ZP
14	531207503	10671900	puleggia retro	pulley	pouile	1	D.45
15	531207504	10672100	distanziale	spacer	entretoise	1	geo tec-b&s- honda
16	531205005	10118000	vite	screw	vis	1	TE M10x100 UNI 5737-8.8ZN
17	531207524	10681200	tendicinghia retro	belt stretcher	tendeur de courroie	1	
18	531207426	10653700	perno filett.	pin	pivot	1	M10x130x88
19	531207522	10680700	tendicinghia avanti	belt stretcher	tendeur de courroie	1	
20	531207564	10684300	molla tendicinghia	cutter-tightener spring	ressort tendeur courroie	1	
21	531207563	10684200	molla tendicinghia	cutter-tightener spring	ressort tendeur courroie	1	
22	531207978	20101700	dado	nut	ecrou	2	M10 H8 UNI 5588-6S ZB
23	531207432	10654500	chiavetta	key	clavette	2	4,75x4,75x23 UNI 92
24	531208599	20404900	dado	nut	ecrou	4	M8 H10 UNI7473-ZB
25	531207044	10390800	vite	screw	vis	4	TE M8x40 UNI 5737-8,8-ZB
26	531204922	10114200	rondella piana	washer	rondelle	4	8x16x1,5 ZB



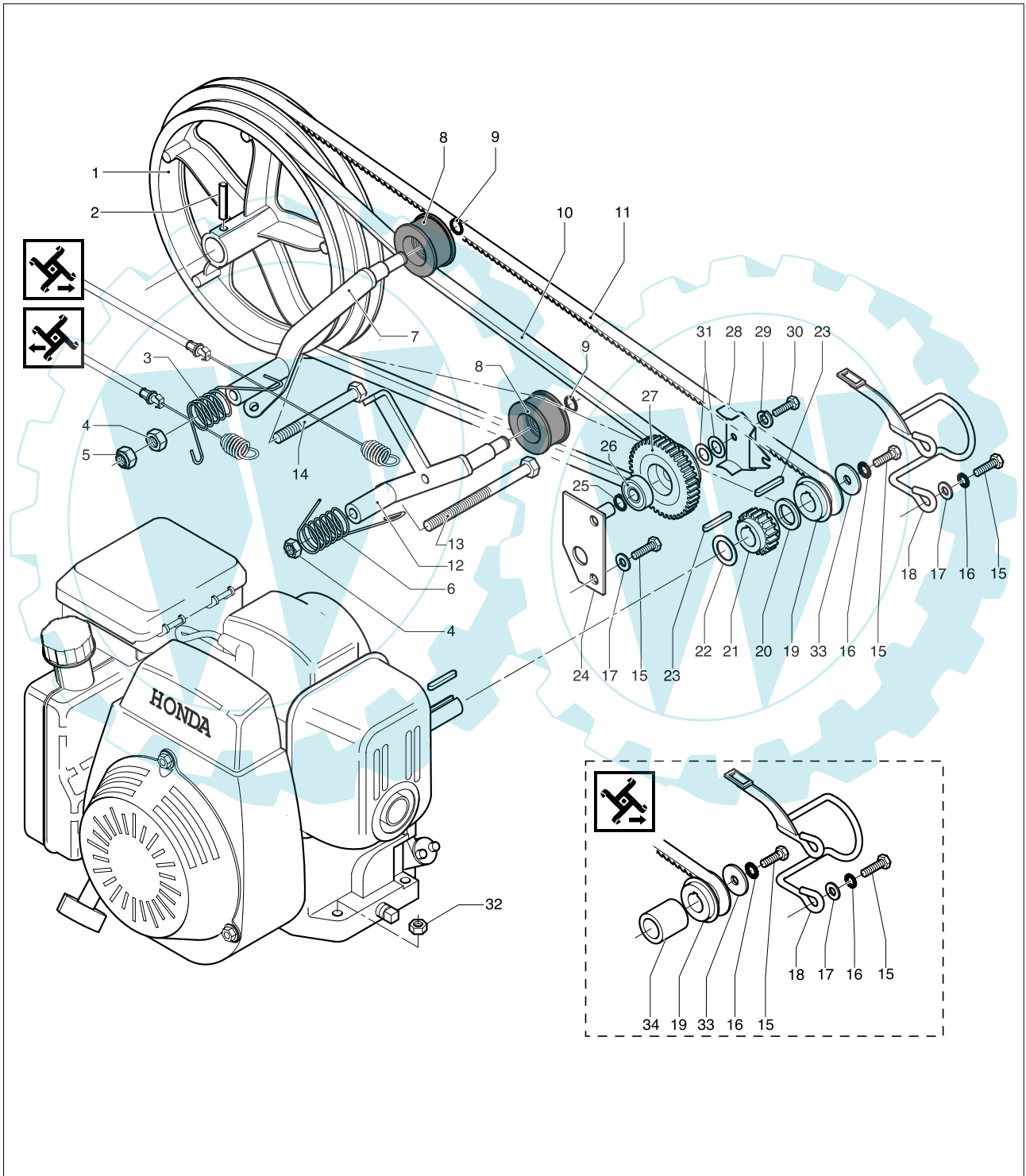
brand	<b>MEP</b>
-------	------------

date	JAN/02	SHEET 6/11
------	--------	------------

Model

<b>POLO - JET</b>

Product number

**The Electrolux Group. The world's No.1 choice.**

Ihr Ersatzteilspezialist im Internet

brand	<b>MEP</b>
-------	------------

date	JAN/02	SHEET 7/11
------	--------	------------

<b>POLO - JET</b>
-------------------

Pos.	PN ELX	PN MEP	DESCRIZIONE	DESCRIPTION	DESCRIPTION	Q.ty	NOTE
1	531207488	10670100	puleggia doppia	pulley	pouile	1	D.272
2	531208404	20228214	spina elastica	resilient pin	goupile expansible	1	D.6x40
3	531207564	10684300	molla tendicinghia	cutter-tightener spring	ressort tendeur courroie	1	
4	531207978	20101700	dado	nut	ecrou	2	M10 H8 UNI 5588-6S ZB
5	531207161	10501160	dado	nut	ecrou	2	M10 H12 UNI7473-ZB
6	531207563	10684200	molla tendicinghia	cutter-tightener spring	ressort tendeur courroie	1	
7	531207524	10681200	tendicinghia retro	belt stretcher	tendeur de corroie	1	
8	531204430	O9128633	puleggia tendicinghia	pulley	pouile	2	
9	531208772	20655800	seeger	seeger	seeger	2	D.12E DIN 471
10	531207431	10654400	cinghia	belt	courroie	1	AX 45 (13x8.5) 1143 K
11	531207510	10674600	cinghia	belt	courroie	1	Z40
12	531207522	10680700	tendicinghia avanti	belt stretcher	tendeur de corroie	1	
13	531207426	10653700	perno filett.	pin	pivot	1	M10x130x88 SPEC
14	531205005	10118000	vite	screw	vis	1	TE M10x100 UNI5737-8.8ZN
15	531207430	10654300	vite	screw	vis	5	TE 5/16'UNF x 5/8' (=16mm)
16	531207981	20106200	rondella dentellata	washer	rondelle	3	D.8E DIN 6798
17	531204922	10114200	rondella piana	washer	rondelle	4	8x16x1,5 ZB
18	531207578	10685400	guidacinghia	belt slide	guidage de courroie	1	
19	531207503	10671900	puleggia retro	pulley	pouile	1	D.45
20	531207594	10687000	distanziale	spacer	entretoise	1	D.19,5/30/4
21	531207586	10686100	ingranaggio	crown gear	engrenage	1	Z19
22	531206725	10300160	distanziale	spacer	entretoise	1	ITT 20,2x30x1
23	531207432	10654500	chiavetta	key	clavette	2	4,75x4,75x23 UNI 92
24	531207585	10686000	piastra fissaggio	fixture plate	plaque fixation	1	
25	531207524	10681200	tendicinghia retro	belt stretcher	tendeur de corroie	1	
26	531208765	20654000	cuscinetto	ball-bearing	roulement	2	6201/2RS
27	531207587	10686200	ingranaggio	crown gear	engrenage	1	
28	531207589	10686400	piastra guida cinghia	bearing	support	1	
29	531207595	10687100	rondella grower	washer	rondelle	1	D.6
30	531208612	20480900	vite	screw	vis	1	TE M6x12 UNI 5739-8,8-ZB
31	531207588	10686300	distanziale	spacer	entretoise	2	D.12.5/21/0.5
32	53128599	20404900	dado	nut	ecrou	4	M8
33	531205552	10135380	rondella piana	washer	rondelle	1	8x30x3ZP
34	531207504	10672100	distanziale	spacer	entretoise	1	D.25x19,2x34 H



**Electrolux**

**ELECTROLUX OUTDOOR PRODUCTS**

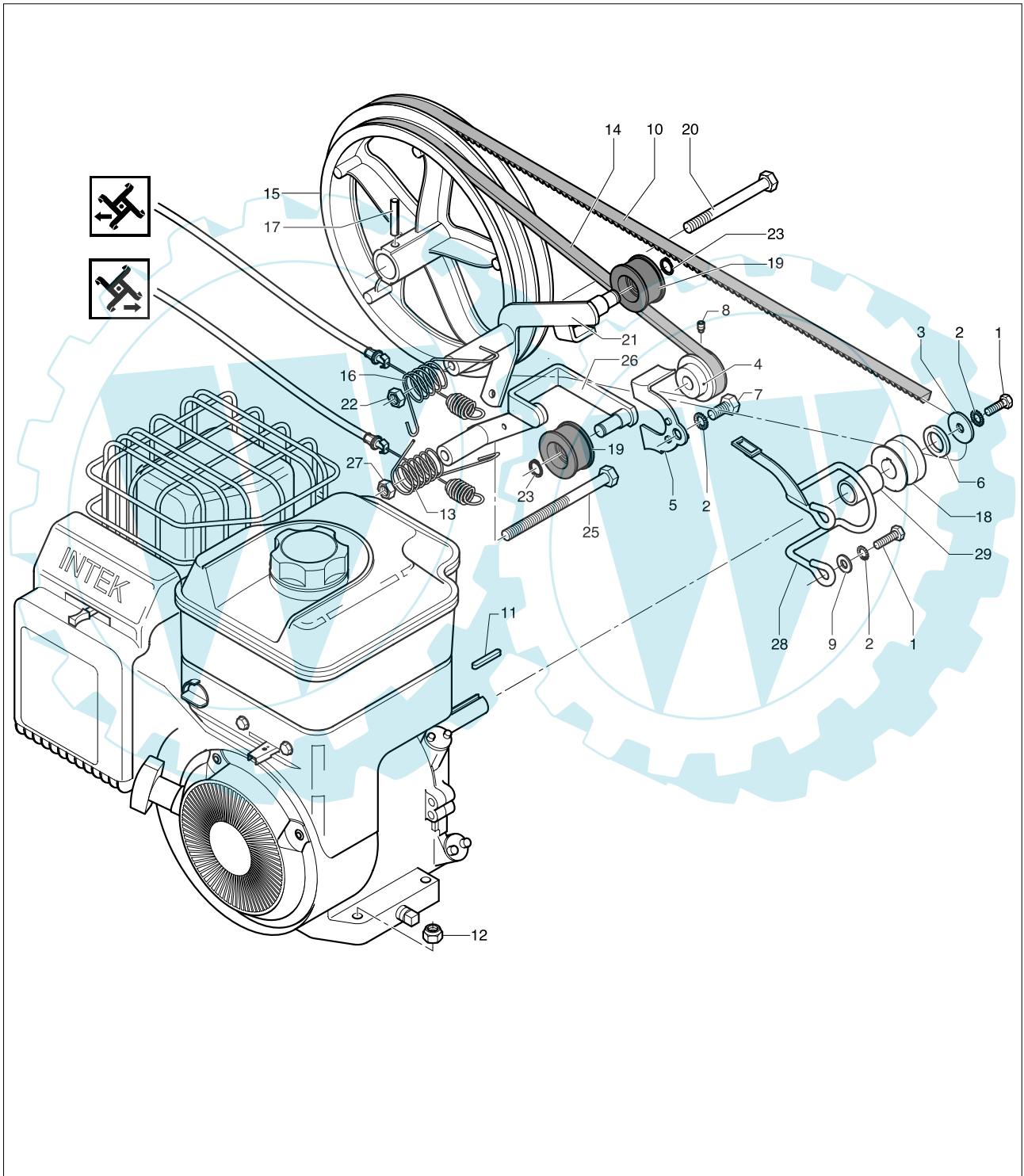
brand	<b>MEP</b>
-------	------------

date	JAN/02	SHEET 8/11
------	--------	------------

Model

<b>POLO - JET</b>

Product number

**The Electrolux Group. The world's No.1 choice.**

Ihr Ersatzteilspezialist im Internet



brand	MEP
-------	-----

date	JAN/02	SHEET 9/11
------	--------	------------

POLO - JET
------------

Pos.	PN ELX	PN MEP	DESCRIZIONE	DESCRIPTION	DESCRIPTION	Q.ty	NOTE
1	531207596	10687300	vite	screw	vis	3	TE 5/16" UNF X 3/4"
2	531207981	20106200	rondella dentellata	washer	rondelle	4	D.8E DIN 6798
3	531205552	10135380	rondella piana	washer	rondelle	1	8x30x3ZP
4	531207594	10687000	distanziale	spacer	entretoise	1	D.19,5/30/4
5	531207602	10688000	guidacinghia	belt slide	guidage de courroie	1	
6	531207503	10671900	puleggia retro	pulley	pouile	1	D.45
7	531207430	10654300	vite	screw	vis	1	TE 5/16" UNF x 5/8" (=16mm)
8	531207597	10687400	vite	screw	vis	1	M5x8 UNI59
9	531204922	10114200	rondella piana	washer	rondelle	2	8x16x1,5 ZB
10	531207616	10689500	cinghia	belt	courroie	1	Z 39 (10x1000LI)
11	531207432	10654500	chiavetta	key	clavette	1	4,75x4,75x23 UNI 92 M8 H10 UNI7473-ZB
12	531208599	20404900	dado	nut	ecrou	1	
13	531207563	10684200	molla tendicinghia	cutter-tightener spring	ressort tendeur courroie	1	
14	531207431	10654400	cinghia	belt	courroie	1	AX 45 (13x8.5) 1143 K
15	531207488	10670100	puleggia doppia	pulley	pouile	1	D.272
16	531207564	10684300	molla tendicinghia	cutter-tightener spring	ressort tendeur courroie	1	
17	531208404	20228214	spina elastica	resilient pin	goupille expansible	1	D.6x40
18	531207617	10689600	distanziale motore	spacer	entretoise	1	D.19/25/31H MM
19	531204430	09128633	puleggia tendicinghia	pulley	pouile	2	
20	531205005	10118000	vite	screw	vis	1	TE M10x100 UNI5737-8.8ZN
21	531207611	10688500	tendicinghia retro	belt stretcher	tendeur de courroie	1	
22	531207978	20101700	dado	nut	ecrou	1	M10 H8 UNI 5588-6S ZB
23	531208772	20655800	seeger	seeger	seeger	2	D.12E DIN 471
25	531207426	10653700	perno filett.	pin	pivot	1	M10x130x88 SPEC
26	531207612	10688600	tendicinghia avanti	belt stretcher	tendeur de courroie	1	
27	531208658	20501310	dado	nut	ecrou	2	M10 H10 UNI 5587-6S-ZB
28	531207578	10685400	guidacinghia	belt slide	guidage de courroie	1	
29	531207617	10689600	distanziale	spacer	entretoise	1	D.19/25/31H MM



# Electrolux

## ELECTROLUX OUTDOOR PRODUCTS

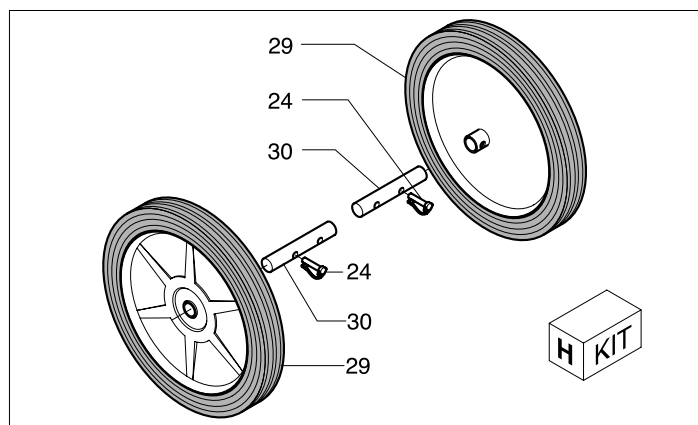
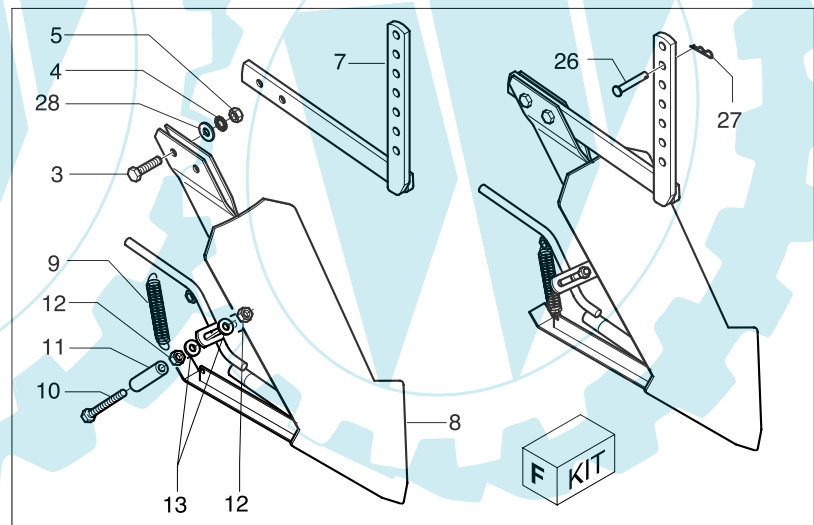
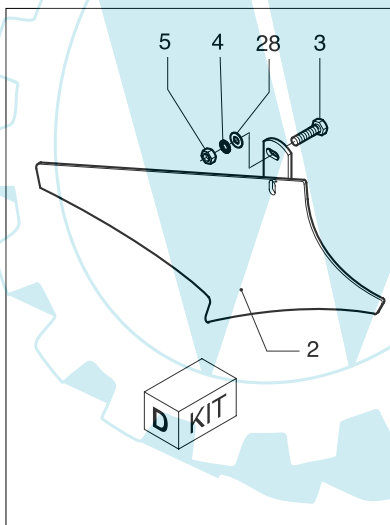
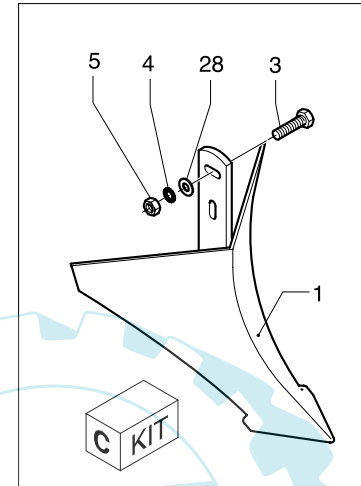
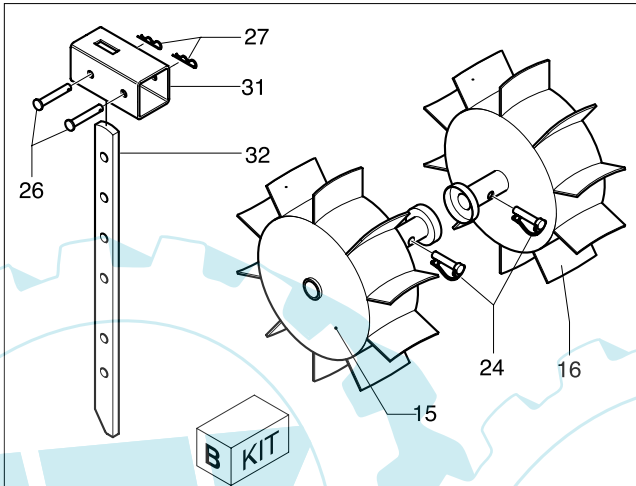
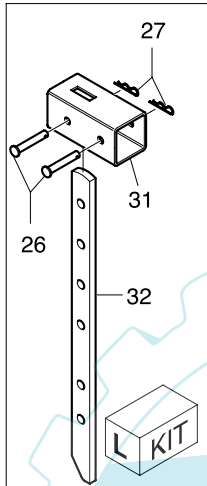
brand	<b>MEP</b>
-------	------------

date	JAN/02	SHEET 10/11
------	--------	-------------

Model

<b>POLO - JET</b>

Product number

 **The Electrolux Group. The world's No.1 choice.**

Ihr Ersatzteilspezialist im Internet

brand **MEP**

date

JAN/02

SHEET 11/11

POLO - JET

Pos.	PN ELX	PN MEP	DESCRIZIONE	DESCRIPTION	DESCRIPTION	Q.ty	NOTE
<b>B</b>	<b>953875069</b>	<b>C2052.0</b>	kit ruote motrici/asta	kit driving wheel/rod	kit roue motrice/tige		
15	531207223	10503423	ruota motrice	driving wheel	roue motrice	1	DX
16	531207224	10503433	ruota motrice	driving wheel	roue motrice	1	SX
24	531208634	20500910	perno con molla	pin with spring	pivot avec ressort	2	
<b>L</b>	<b>953875032</b>	<b>CE141.0</b>	kit supp.accessori	kit accessoires support	kit supp.equipments		
26	531207593	10686900	perno	pin	pivot	2	D.10x88
27	531208657	20501290	coppiglia	cotter pin	goupille	2	D.2
31	531207549	10683603				1	
32	531207412	10651603	asta	rod	tige	1	
<b>C</b>	<b>953875027</b>	<b>CE031.0</b>	kit assalcatore	kit ridger	kit buttoir		
1	531207201	10503003	rincalzatore	ridger	buttoir	1	
3	531208659	20501350	vite	screw	vis	1	TE M10x35
4	531208974	30102100	rondella	washer	rondelle	1	10E
5	531207978	20101700	dado	nut	ecrou	1	M10 H8
28	531207122	10428900	rondella	washer	rondelle	1	10x21x2
<b>D</b>	<b>953875025</b>	<b>CE011.0</b>	kit aratro	kit plough	kit charrue		
2	531207203	10503023	aratro	plough	charrue	1	
3	531208659	20501350	vite	screw	vis	1	TE M10x35
4	531208974	30102100	rondella	washer	rondelle	1	10E
5	531207978	20101700	dado	nut	ecrou	1	M10 H8
28	531207122	10428900	rondella	washer	rondelle	1	10x21x2
<b>F</b>	<b>953875026</b>	<b>CE021.0</b>	kit aratro reversibile	reversible plough kit	kit brabant double	2	TE M10x35
3	531208659	20501350	vite	screw	vis	2	10E
4	531208974	30102100	rondella	washer	rondelle	2	M10 H8
5	531207978	20101700	dado	nut	ecrou	1	
7	531207214	10503263	asta	rod	tige	1	
8	531207212	10503253	corpo aratro reversibile	reversible plough body	corps brabant double	1	
9	531207216	10503301	molla	spring	ressort	1	TE M8x55 UNI 5737-8,8-ZB
10	531207102	10404500	vite	screw	vis	1	D13/10/32
11	531208732	20603300	bussola	bush	douille	1	M8 H8
12	531207982	20106300	dado	nut	ecrou	2	8x16x1,5
13	531204922	10114200	rondella	washer	rondelle	2	D.10x88
26	531207593	10686900	perno	pin	pivot	2	D.2
27	531208657	20501290	coppiglia	cotter pin	goupille	2	10x21x2
28	531207122	10428900	rondella	washer	rondelle		
<b>H</b>	<b>953875077</b>	<b>C2021.0</b>	kit ruote trasferimento	kit trasfer wheel	kit roue de translation		
24	531208634	20500910	perno con molla	pin with spring	pivot avec ressort	2	
29	531207211	10503230	ruote di trasferimento	trasfer wheel	roue de translation	2	DX
30	531208709	20560270	albero	shaft	arbre	2	
<b>L</b>	<b>953875032</b>	<b>CE141.0</b>	kit supp.accessori	kit accessoires support	kit supp.equipments		
26	531207593	10686900	perno	pin	pivot	2	D.10x88
27	531208657	20501290	coppiglia	cotter pin	goupille	2	D.2
31	531207549	10683603	supporto accessori	equipments support	support accessoires	1	
32	531207412	10651603	asta	rod	tige	1	

